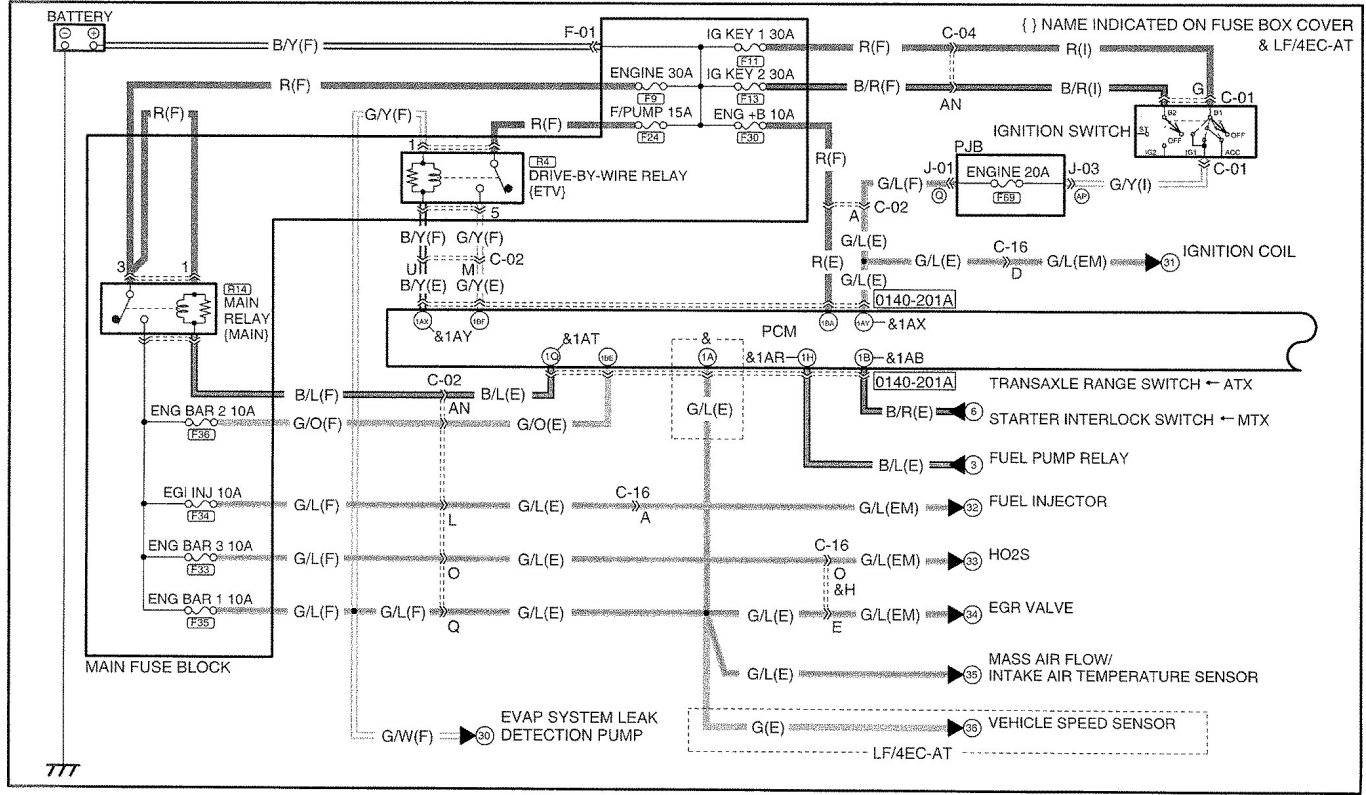


(LF/L3 (EXCEPT FOR CALIFORNIA EMISSION REGULATION APPLICABLE MODEL))



777